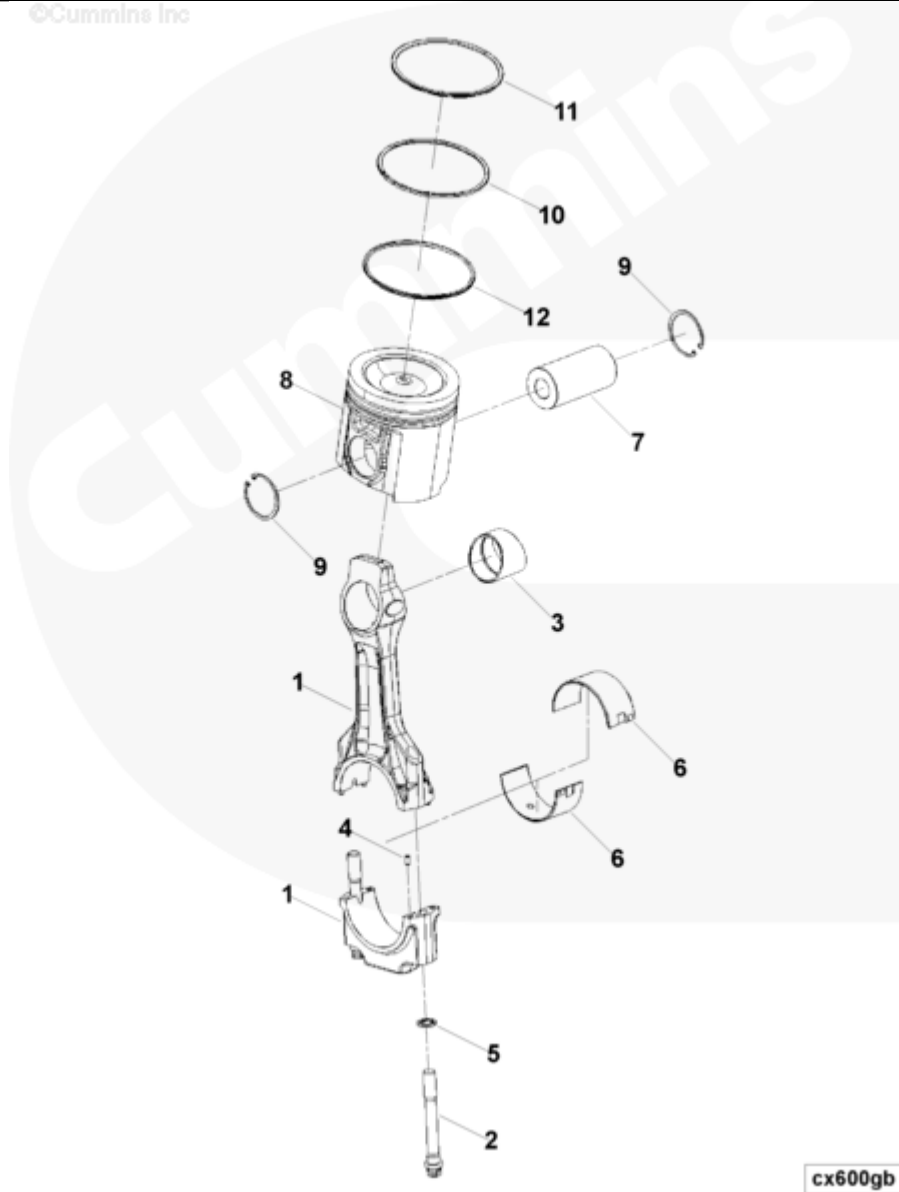




# Parts Catalog - Option Detail

Electronic Parts Catalog - Option Detail				
Option	Group	Graphic	Film Card	Date
PP6742	01.04	cx600gb	K38	31-MAR-97
<b>Engines</b>	GTA38, K38, KTA38GC CM558, QSK38 CM2150 K106, QSK38 CM2150 MCRS, QSK38 CM850 MCRS			

©Cummins Inc



cx600gb

[SMALL](#) | [MEDIUM](#) | [LARGE](#)

Cart	Ref No	Part Number	Part Description	Required	Remarks
<a href="#">View My Cart</a>					
		<a href="#">PP6742</a>	Engine Piston		<a href="#">Certified connecting rods...(More)</a>

					for use with agency
					approval. Connecting rod
					for use when certification
					by Marine society is
					required.
<input type="checkbox"/>	1	<a href="#">3632411</a>	Engine Connecting Rod	12	
		<a href="#">3632169</a>	Engine Connecting Rod	1	
<input type="checkbox"/>	2	<a href="#">3013266</a>	Fracture Resistant Screw	2	
<input type="checkbox"/>	3	<a href="#">3043909</a>	Bushing	1	
<input type="checkbox"/>	4	<a href="#">69558</a>	Pin Dowel	4	
<input type="checkbox"/>	5	<a href="#">205126</a>	Plain Washer	2	5/8 in.
<input type="checkbox"/>	6	<a href="#">3047390</a>	Connecting Rod Bearing	2	Standard
<input type="checkbox"/>		<a href="#">3047391</a>	Connecting Rod Bearing	A/R	.010 Inch Undersize
<input type="checkbox"/>		<a href="#">3047392</a>	Connecting Rod Bearing	A/R	.020 Inch Undersize
<input type="checkbox"/>		<a href="#">3047393</a>	Connecting Rod Bearing	A/R	.030 Inch Undersize
<input type="checkbox"/>		<a href="#">3047394</a>	Connecting Rod Bearing	A/R	.040 Inch Undersize
<input type="checkbox"/>		<a href="#">3803530</a>	Engine Piston Kit	12	
<input type="checkbox"/>	7	<a href="#">4095009</a>	Piston Pin	1	
	8	<a href="#">3628731</a>	Engine Piston	1	
<input type="checkbox"/>	9	<a href="#">205269</a>	Retaining Ring	2	
<input type="checkbox"/>		<a href="#">4089501</a>	Piston Ring Set	12	
	10	<a href="#">4081176</a>	Compression Piston Ring	1	
	11	<a href="#">3068813</a>	Compression Piston Ring	1	
	12	<a href="#">3090450</a>	Oil Piston Ring	1	